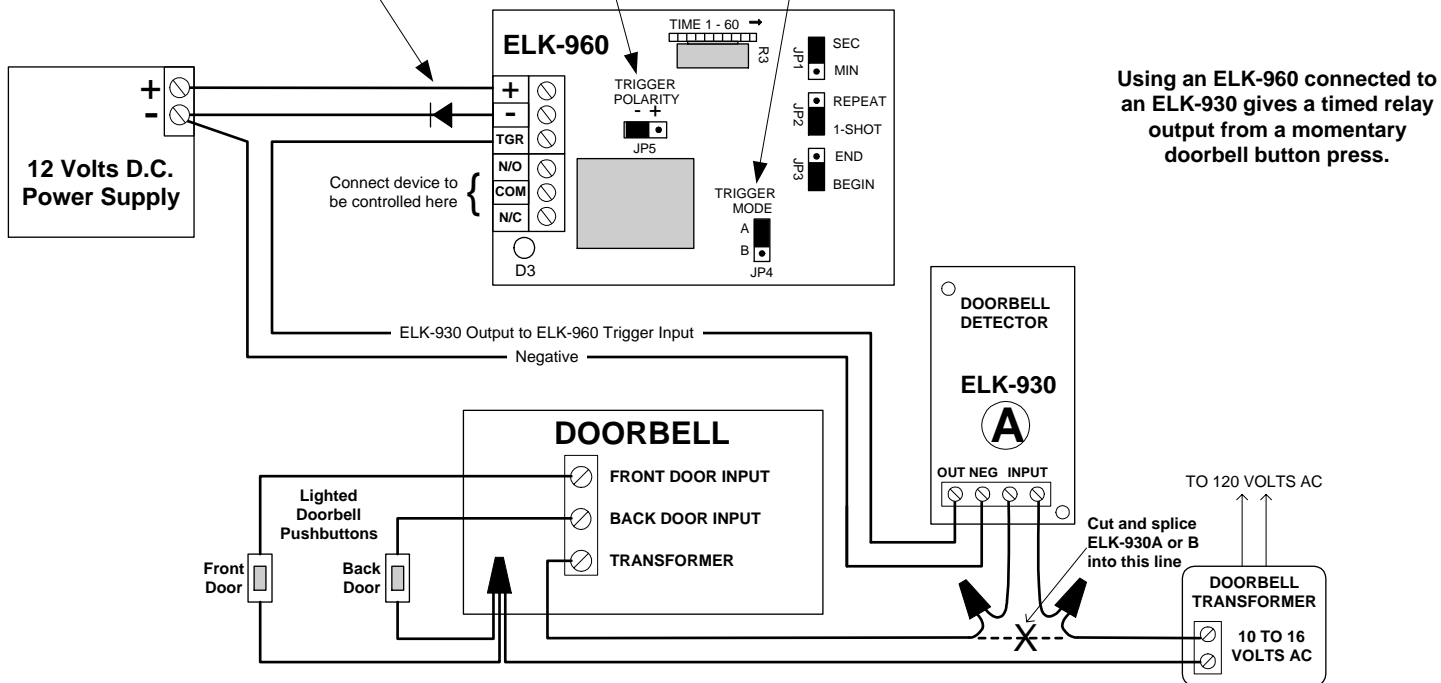


DoorBell Circuit ELK-930(A,B) to ELK-960 Hookup

A 1N4004 Diode or equivalent must be added in the 960 negative wire here

JP5 must be set to Negative Polarity Only

JP4 must be set to A Mode Only



Telephone Ring Circuit ELK-930(C) to ELK-960 Hookup

A 1N4004 Diode or equivalent must be added in the 960 negative wire here

JP5 must be set to Negative Polarity Only

The ELK-960 relay may turn off between rings if R3 is adjusted for less than approx 7 seconds

The ELK-930 output follows the ringing pulses (approx 25 hz). To filter these pulses into a steady output, use an ELK-960 connected to the ELK-930 to get a timed relay output.

